

2 Micron CW Fiber Laser

AP-CW

With their compact size, high efficiency, low maintenance, and ease of operation, AdValue Photonics' 2 μ m fiber lasers provide many advantages over traditional bulk Holmium and Thulium solid state lasers.

Applications:

- LIDAR
- Gas sensing
- Mid-IR generation
- Test and measurement
- Research & development

Features:

- Customizable operating wavelength
- Near diffraction limited beam quality
- Turn-key system with no maintenance required



Optical Characteristics:

Parameter	Specification
Operation mode	CW
Operating wavelength	1950 nm (option: 1900-2100 nm)
Wavelength accuracy	± 5 nm nominal
Output power	200 mW (higher or lower power available)
Power adjustment	10-100% max.
Spectral linewidth	< 1 nm
Beam quality, M^2	< 1.1
Output polarization	Random (option: linear polarization)
Output fiber	SMF-28 single mode fiber, 3 mm jacket, 1 m length, no connector

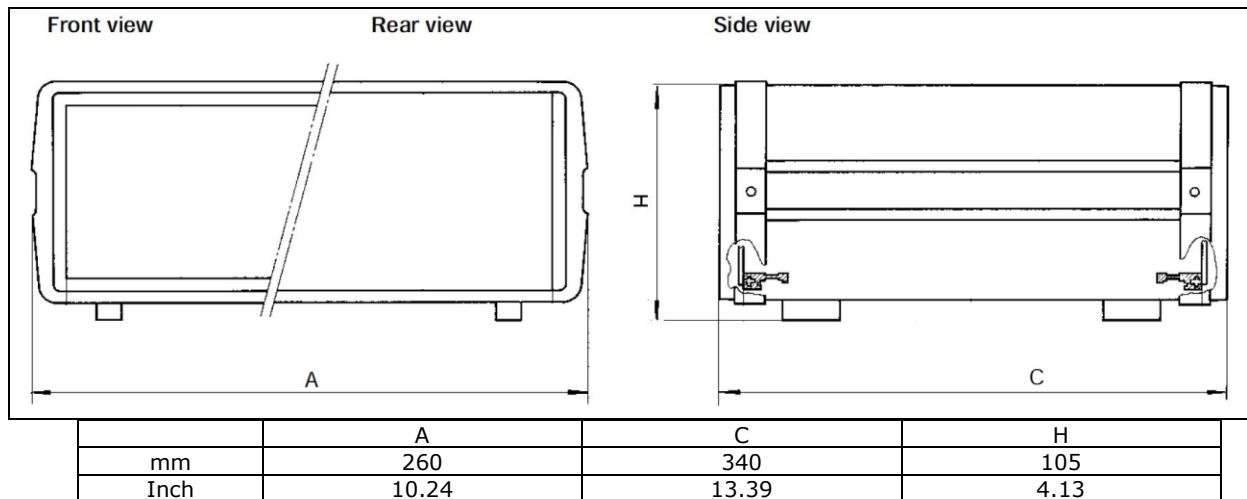
(For special requirement, please contact AdValue Photonics for options.)

Specifications subject to change without notice

General Characteristics:

Parameter	Specification
Operating temperature	10 to +35 °C
Storage temperature	-10 to +70 °C
Cooling	Forced air
Power requirement	AC 100~240 V (50/60Hz)
Warm-up time	10 minutes
Package dimensions	Standard: 105(H) x 260(W) x 340(D) mm

Mechanical Outline:



Ordering Information:

Part Number:	AP-CW	-	xxxx	-	mxxx	-	xx
			Standard Wavelength: 1950 = 1950 nm Custom Wavelength: xxxx = xxxx nm		Output Power: m050 = 50 mW m200 = 200 mW		Polarization: RP = random polarization LP = linear polarization



Specifications subject to change without notice